



RESTRAIN™

PVC Pipe for Trenchless Installation

DESIGN AND INSTALLATION GUIDE

iPLEX
Pipelines

Contents

Introduction	1
Applications	1
Features and Benefits	1
Product Data	2
Material Properties	2
Pipe Stiffness	2
Standards and Testing	2
Product Range	2
Pipe Fittings	2
Rubber Ring Seals	2
Colour and Markings	2
Pipe Dimensions	2
Hydraulic Design	3
Structural Design	3
Pipe Grouting	3
Handling and Storage	4
Storage	4
General Installation Guidelines	5
General	5
Pipe Jointing Lubricant	5
Strap Wrenches	5
Pull Heads	5
Bore Hole and Drill Mud	5
Tensile and Compressive Loads	6
Radius of Curvature	6
Installation	6
Horizontal Directional Drilling (HDD)	8
Reaming	10
Pipe Bursting, Static & Hydraulic	11
Pilot Tube Micro Tunnelling and Horizontal Auger Boring	13
Slip Lining	14
Field Testing	15
Frequently Asked Questions	15
Iplex Pipelines – The Company	16

1.0 Introduction

Iplex Pipelines has developed Restrain™ PVC Sewer Pipe specifically for gravity sewer applications using trenchless techniques, for the installation, repair or replacement of underground infrastructure.

Restrain™ is a rubber ring jointed, SN16 PVC-U sewer pipe, utilizing a threaded spigot and “low profile” threaded socket, which provides axial end load restraint.



Figure 1 Typical joint arrangement showing the rubber sealing ring, threaded spigot and “low profile” threaded socket.

1.2 Applications

Iplex Restrain™ Sewer Pipe has been designed for gravity sewer applications and is suitable for installation by a range of trenchless methods, including:

- Horizontal Directional Drilling (HDD)
- Pipe Reaming (PR) or Pipe Eating (PR-PE)
- Pipe Bursting Static (PB-ST)
- Pipe Bursting Hydraulic (PB-HY)
- Pipe Bursting Slitting (PB-SL)
- Pilot Tube Micro Tunnelling (PTMT)
- Horizontal Auger Boring (HAB)
- Slip Lining (SL)

RESTRAIN™ PVC Sewer Pipe is not suitable for use with pneumatic or concussive pipe bursting equipment. It is also not suitable for pipe ramming or impact moling.

1.3 Features and benefits

The threaded spigot and socket provides axial end load restraint to ensure joint integrity during installation using trenchless techniques.

Iplex Restrain™ PVC Sewer Pipe is compatible with both solvent weld and rubber ring jointed DWV PVC-U Sewer Pipe and fittings complying with AS/NZS 1260.

Restrain™ is available in a range of pipe lengths from 1m to 6m to suit project and site requirements. The Restrain™ socket is “low profile”, i.e. has a smaller outside diameter than a conventional “SC” style PVC pipe socket.

The following table provides a summary of features and benefits

Table 1 Features and benefits of Restrain™ PVC Sewer Pipe

Feature	Benefit
Threaded socket & spigot joint	Allows axial restraint during installation using trenchless methods
Pipe lengths can be customised to suit the installation or project requirements	Enables use with a range of installation technologies or site requirements
Compatible with standard DWV PVC Sewer fittings to AS/NZS 1260	Allows simple connection to maintenance chambers and service laterals
Bi-directional installation capability	Pipe can be pushed or pulled into place to suit installation methodology
Rubber sealing ring performance conforming to AS/NZS 1260	Eliminates the risk of leakage and root intrusion
Complies with AS/NZS 1260. Independently certified in accordance with the test requirements of AS/NZS 1260. StandardsMark licence number SMKP 20184	Product meets industry manufacturing and performance standard
Manufactured from PVC-U	Compatible with standard PVC-U drainage fittings
Manufactured in stiffness class SN16	Provides the structural performance of SN16

Iplex Pipelines NZ Ltd retain the intellectual property rights for Restrain™ pipe; New Zealand Patent No. 561752.

2.0 Product Data

Iplex Restrain™ is a DWV sewer pipe with a threaded spigot and socket assembly, with a rubber sealing ring. Restrain™ is manufactured in accordance with AS/NZS 1260 "PVC-U pipe for drain, waste and vent applications".

2.1 Material Properties

Restrain™ is manufactured from PVC-U (unplasticised polyvinyl chloride). The properties listed in Table 2 are typical for PVC-U Sewer Pipes.

Table 2 Mechanical Properties for PVC-U Sewer Pipe

Property	Value & Unit
Density	1450 kg/m ³
Ultimate tensile strength	52 MPa*
Compressive strength	66 MPa*
Ring Bending Modulus (3min)	3200 MPa
Ring Bending Modulus (50 yr)	1400 MPa
Hardness (Shore)	85 (ASTM D2240)
Hardness (Brinell) at 23°C	12 - 15
Poisson's Ratio	0.38
Coefficient of linear thermal expansion	7.0 x 10 ⁻⁵ /m/m/°C

*Refer Table 5 for maximum allowable axial loads for Restrain™

For more technical specifications and chemical resistance information please refer to the Iplex website www.iplex.co.nz or contact an Iplex Pipelines Engineer.

2.3 Pipe Stiffness

All Restrain™ PVC Sewer Pipe is manufactured with a minimum pipe ring bending stiffness of 16000 N/m.m and is classified as SN16, to AS/NZS 1260.

2.4 Standards & Testing

Iplex Pipelines NZ Limited is certified by Licence No. QEC4169 as satisfying the requirements of ISO 9001: 2008 "Quality Management Systems - requirements".

Iplex Restrain™ is certified by StandardsMark Licence No. SMKP20184 as conforming to AS/NZS 1260:2009 "PVC-U pipe and fittings for drain, waste and vent application".

3.0 Product Range

Restrain™ Sewer Pipe is available in nominal diameters DN100, DN150, DN225 and DN300.

Restrain™ is available in lengths ranging from 1m to 6m to suit project specific and/or site requirements. The length of the pipe is generally a function of the method of installation and site space requirements.

3.1 Pipe Fittings

Restrain™ PVC Sewer Pipe is compatible with standard PVC-U sewer pipes and fittings for both solvent weld and rubber ring joints. A list of fittings is available from the Iplex Product Catalogue.

3.2 Rubber Ring Seals

The rubber ring seal is supplied loose and should be stored to ensure that they are not damaged. The rubber ring seal should be placed in the pipe spigot groove and lubricated with silicone spray during the pipe jointing process. (Refer Section 8.)

3.3 Colour & Markings

Restrain™ Sewer Pipe is manufactured in a light grey colour with a semi gloss finish which is opaque and flawless.

Iplex Restrain™ Sewer pipes are repetitively marked in accordance with AS/NZS1260 'PVC-U pipes and fittings for drain, waste and vent application'. Markings include:

- Manufacturers name and brand name
- Australian Standard number
- StandardsMark Licence No.
- Nominal Pipe Size
- Pipe Type
- Pipe Class
- Date of manufacture
- Manufacturer's code

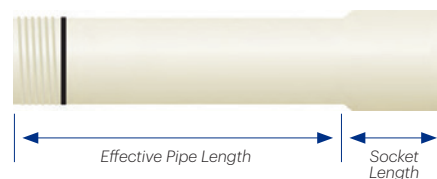
3.4 Pipe Dimensions

Restrain™ PVC Sewer Pipe is available in lengths ranging from 1m to 6m to suit specific project and/or site requirements. The length of the pipe is generally a function of the method of installation and site space requirements.

The product is specified by effective length. Add the socket length listed in Table 1 to the effective length to determine overall pipe length. Other typical pipe dimensions are shown in this table.

Table 3 Restrain™ Pipe Dimensions

Pipe DN	Mean Pipe OD (mm)	Socket OD (mm)	SN	Mean ID (mm)	Socket length
100	110.2	115	16	101.6	70mm
150	160.3	170	16	147.9	90mm
225	250.4	260	16	231.3	140mm
300	315.5	330	16	290.8	140mm



4.0 Hydraulic Design

Where a sewer pipeline is flowing full under gravity conditions the method of determining the pipe size is similar to that used for pressure pipes. The grade of the pipeline gives the allowable head-loss but special attention should be given to the effect of entry and exit losses at structures such as manholes as these may be significant.

For pipes flowing full, full capacity can be calculated similarly as for pressure pipes. Contact Iplex Pipelines for Restrain™ Flow Capacity information.

5.0 Structural Design

Restrain™ Sewer Pipes are defined as flexible pipes. Flexible pipes are designed to deflect slightly under load and hence utilise surrounding soil strength, as well as pipe stiffness, to oppose the vertical loads.

Structural design of Restrain™ Sewer Pipes should conform to the requirements of AS/NZS 2566.1 "Buried Flexible Pipelines – Structural Design". Contact Iplex Pipelines for more information on structural design of trenchless installations.

Pipe Grouting

Where it is necessary to pressure grout the annulus between Restrain™ pipe and a host pipe during slip lining, it is important to ensure that the grout is introduced so as not to damage the Restrain™ sewer pipe. The grout must be introduced into the annulus as evenly as possible and must not exceed the Restrain™ pipe's maximum safe grouting pressure (refer Table 4).

**Table 4 Maximum Safe Grouting Pressure
(factor of safety = 2.5)**

Pipe DN	Maximum Safe Grouting Pressure (KPa)
100	180
150	180
225	180
300	180

It is strongly recommended to "cap off" and fill the Restrain™ pipe with water prior to grouting to reduce the effects of grouting pressure and heat of hydration of the grout during curing. It may be possible to stage the grouting process in two or three lifts allowing the grout to solidify in the annulus to the spring line before the top section is filled.

6.0 Handling and Storage

Whilst Restrain™ Sewer Pipes are easy to handle, careless handling can cause unnecessary damage to the pipe and/or joints. Pipes and fittings should not be dropped or thrown onto hard surfaces or allowed to come into contact with hard sharp objects that could inflict deep scratches. PVC-U pipe should not be allowed to slide across sharp edges.

Wire slings or chains **must not** be used to lift pipes. Particular care should be taken to prevent any damage to the thread on the spigot and socket which may affect the axial capacity and/or the jointing process.

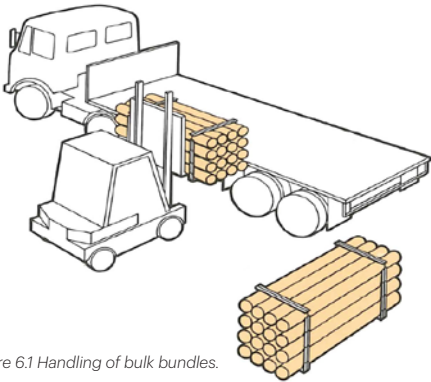


Figure 6.1 Handling of bulk bundles.

Storage

If pipes and fittings are to be stored outdoors for more than 12 months they should be protected in a manner that prevents heat build-up and allows ventilation. Hessian or white shade cloth have been shown to be good materials for this purpose.

Pipes may be stacked on site providing the surface is level and free from loose stones and other sharp objects. Pipes should be stacked in layers with sockets placed so that they are not load-bearing. This can be achieved by stacking pipes with alternate layers of sockets facing in opposite directions.

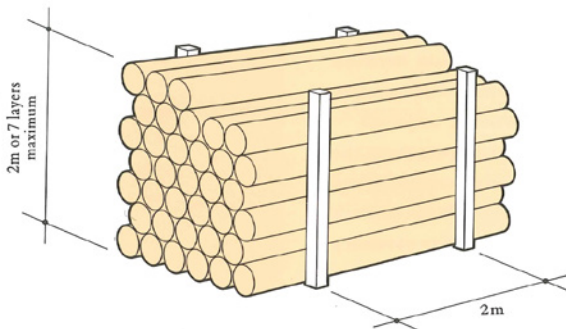


Figure 6.2 Typical loose pipe storage on ground.

Racks for long term storage are recommended and should preferably provide continuous support, however if this is not possible, supports of at least 75mm bearing width at 1m maximum centres should be placed beneath the pipes. Side restraints should be placed at centres not exceeding 1.5m and stacks should not exceed 1m in height.

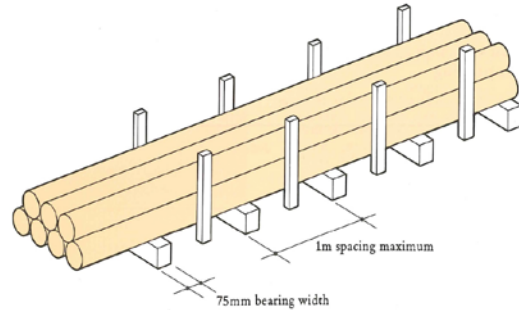


Figure 6.3 Typical loose pipes on bearers.

When unloading alongside excavated trenches it is recommended that pipes be placed on the opposite side of the trench from excavated material if it is safe to do so.

Rubber rings and silicone spray should be stored under cover until pipe laying commences.

7.0 General Installation Guidelines

General

Restrain™ Sewer Pipe can be installed by a number of trenchless methods. A brief description of some of these methods are:

- Horizontal Directional Drilling (HDD)
- Pipe Reaming (PR) or Pipe Eating (PR-PE)
- Pipe Bursting Static (PB-ST)
- Pipe Bursting Hydraulic (PB-HY)
- Pipe Bursting Slitting (PB-SL)
- Pilot Tube Micro Tunnelling (PTMT)
- Horizontal Auger Boring (HAB)
- Slip Lining (SL)

Each installation method has its own unique installation technique, detailed installation instructions by method are reported later in Section 8 of this manual.

7.1 Pipe Jointing Lubricant

Use only “Gensil 601”, “CRC 808” or “Rocol” spray silicone lubricant or an Iplex approved equivalent for lubrication of the joint assembly prior to assembly.

The silicone lubricant is used to lubricate the thread and seal ring prior to jointing of the pipes. The silicone lubricant allows the ability to reverse the thread jointing process should the pipes need to be removed from the bore hole or installation pit.

7.2 Strap Wrenches

Use strap wrenches with extended woven nylon webbing straps for pipe turning during assembly. “Rigid”, “Hit” or Super Ego” brand or any Iplex approved equivalent are recommended.

It is recommended that a strap wrench with an extended 1200mm long strap be used to successfully join DN225 and DN300 Restrain™ sewer pipe. The Rigid No 5 strap wrench product code #31345 is well proven. The extended strap is an “after market” purchase, any canvas fabricator or upholsterer can stitch the replacement strap together from 45mm wide woven fabric.



Figure 7.1 Rigid No. 5 Strap Wrench and replacement after market 1200mm extended strap.

7.3 Pull Heads

We recommend the use of a “cone style” pull head as shown in figure 7.3 for HDD, Pipe Bursting, Auger Boring and Micro Tunnelling installations. These pull heads are normally fabricated from mild steel plate or pipe. The pull head is connected to a Restrain™ socket starter pipe (2-3 pipe diameters long) fastened to the pull head with threaded rod or cross bolts as shown in figures 7.2 and 7.3 Allow one pipe diameter between the cross bolt centrelines and off set by 90 degrees. Contact our Technical Services Call Centre on 0800 800 262 for more information.



Figure 7.2 Typical DN150 Internal Pull Head.



Figure 7.3 Typical DN300 External “Cone Style” Pull Head.

7.4 Bore Hole & Drill Mud

The bore hole dimensions vary depending upon the installation methodology being used, native soil type, additives used to produce drilling mud, drill mud viscosity, reamer type/style and pipe diameter. The contractor or driller is responsible for determining their bore hole diameter and drill mud type before drilling commences. Drill mud is an important component of successful installations. (See figure 7.4.) It is used to stabilise the borehole, assist in the cutting process, cool down the transmitter, carry spoil out of the borehole and lubricate the borehole for reducing the frictional resistance of the product being pulled into the borehole.



Figure 7.4 Typical free flowing drill mud/lubricant.

7.5 Tensile & Compressive Loads

Restrain™ Sewer Pipe is able to be pushed or pulled through a bore hole or host pipe. The threaded spigot and socket provides axial restraint capability. **Do not exceed** the maximum allowable axial load parameters shown in Table 5.

Table 5

Pipe DN	SN	Maximum Allowable Axial Load			
		Tensile		Compression	
		(kN)	(KG)	(kN)	(KG)
100	16	17.6	1800	17.6	1800
150	16	34.3	3500	29.4	3000
225	16	93.2	9500	93.2	9500
300	16	117.7	12000	117.7	12000

7.6 Radius of Curvature

Restrain™ Sewer Pipe must be axially aligned with the host hole or host pipe at the point of entry. Some curvature back from the host hole/pipe is permitted.

The minimum radius of curvature is based on 300 x outside diameter as detailed in Table 6.

Table 6

Pipe DN	Pipe OD (mm)	Minimum Radii of curvature (m)
100	110	33
150	160	48
225	250	75
300	315	94.5

8.0 Installation

Step 1

Place a temporary wind up or pneumatic test plug inside the socket end of the first Restrain™ pipe being installed. This prevents the new Restrain™ pipe barrel from being invaded by drill mud or ground water, allowing easier assembly during joining.



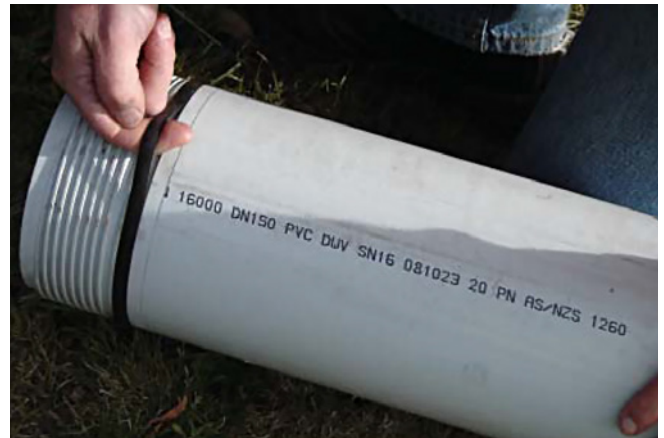
Step 2

Unpack and thoroughly inspect all Restrain™ Sewer Pipes to ensure the threads, seal rings and the joint assemblies are clean, undamaged and free of dirt or grit before beginning assembly.



Step 3

Place the seal ring in the groove (the last groove from the end of the pipe). The crown of the seal ring must be facing outwards. Carefully stretch the seal ring into the seal ring groove, tensioning the seal ring as you go by running your finger between the seal ring and the pipe in a circular motion around the pipes spigot/seal ring groove.



Step 4

Lubricate the **spigot thread**, the **seal ring**, the **socket thread** and the **lead into** the socket.



Step 5

Align the clean spigot with the socket in a straight line. Ensure there is a smooth initial engagement. Do not cross thread. Use temporary support blocks if required.



Step 8

Apply the strap wrenches to both the spigot and socket and screw up pipe until the seal ring completely disappears up into the mouth of the socket and the joint firmly resists further tightening. **Do not overtighten.**



Step 6

Align thread start arrows and initially turn the spigot by hand in a clock-wise direction to engage the first few threads. Ensure the pipe barrel is supported. The first thread engagement and the first few turns should be smooth and free of "binding."



Step 9

Completed Restrain™ joint assembly with steel ring and spigot end, machine mark not visible.



Note: A Restrain™ "C Wrench" assembly tool may be required for DN300 Restrain™ Sewer Pipe due to the higher rotational forces required. The Restrain™ "C Wrench" is sometimes useful when working in confined spaces or between trench shields.

Step 7

Continue to hand screw the spigot into the socket as far as it will easily go, or up to where seal ring engages into the socket.



8.1 Installation Guidelines – Horizontal Directional Drilling (HDD)



Figure 8.1 Typical cartridge style HDD pull-back.



Figure 8.2 Typical HDD cartridge style pull-back within a 1.8m diameter x 4.5m deep manhole structure installing DN300 x 1m Restrain™ Sewer Pipe.

Restrain™ has been installed in many locations throughout New Zealand. Typical shots of 80 to 100m are common with the longest known drill-shot to be 190m completed in one continuous pull-back. Restrain™ Pipe lengths vary depending upon geography, native soils, site layout and installation pit or manhole/chamber dimensions. Drillers have installed Restrain™ Sewer Pipe in lengths from 1m to 6 metres. 3.6m pipe-lengths correspond with most HDD Drill Rod lengths.

Step 1

Before you arrive on site determine the dimensions of your installation pit then order Restrain™ Sewer Pipe to suit your installation methodology. This may result in the selection of 6m pipe-lengths for a normal cartridge style HDD installation or you may choose 1m lengths if you plan to drill to a new or existing manhole structure completing pipe jointing within tight confined spaces. Some HDD operators order their pipe made to the same length as their HDD drill rods (usually 3.6m), this allows jointing to occur during drill rod changes and reduces your work site foot print as a pipe-string above ground is not required with Restrain pipes.

Step 2

Ensure tools and equipment are available; tools and equipment are detailed in section 7 of this manual.

Step 3

Once on site, excavate installation pits. Ensure the installation pits are 1-2 pipe diameters below the new pipe invert.



Figure 8.3 Typical HDD cartridge style pull-back within trench shields, 7m deep. DN225 x 3m Restrain™.



Figure 8.4 Typical HDD cartridge style pull-back between trench shields at a depth of 4.5m. DN150 x 6m Restrain™.

Step 4

Select a reamer style/type to suit your native soils, drill mud type/viscosity and Restrain™ Sewer Pipe outside diameter. Recommended reamer diameter guidelines are listed below in Table 7.

Table 7

Pipe Diameter	Reamed Diameter
DN100 & DN150	Pipe Diameter + 100mm
DN225 & DN300	Pipe Diameter x 1.5

The driller is responsible for selecting the borehole diameter and reamer type/size and drilling mud type or viscosity. Some typical reamer types are illustrated on the right.

Drilling fluids are an important component of the HDD process. They are used to stabilize the borehole, assist in the cutting process, cool down the transmitter, carry the excavated spoil out of the borehole, and lubricate the borehole for reducing frictional resistance of the product pipe.

Warning:

If the HDD drill rig pressure gauge suddenly increases, cease pull back **IMMEDIATELY** to avoid hydro-lock, buckling of the pipe and/or other mechanical breakages.

Check water flow, drill mud flow, drill mud viscosity and or mix. Consider backing out the reamer and reversing the Restrain™ jointing procedure. Check for bore hole collapse. Proceed with precaution.

Step 5

Begin reaming or pull-back, follow the installation steps within Section 8.0.

Step 6

Connect new sewer laterals into Restrain™ Sewer Pipe using a 3 way, plain ended PVC wye junction or with a Restrain™ Quick Fit Saddle as illustrated in Figure 8.6. Traditional PVC sewer / DWV fittings are used to complete the final connections.



Figure 8.5 Plain ended wye junction.



Figure 8.6 Restrain™ Quick Fit Saddle.

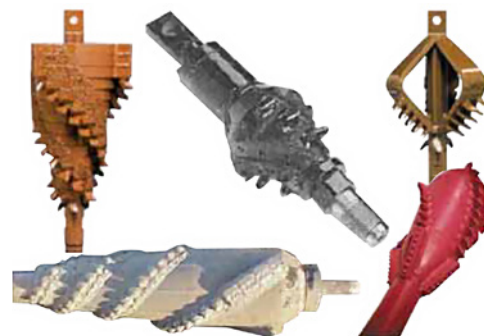
Typical Sand Reamers



Typical Clay Reamers



Typical Cobble Reamers



8.1 Installation Guidelines – Reaming



Figure 8.7 Typical reaming or pipe eating using a traditional Horizontal directional drill.

Restrain™ has been installed using reaming methods. Reaming or Pipe Eating uses a traditional HDD rig where the drill rods are inserted inside existing earthenware pipes. A reaming head is connected prior to the new Restrain™ Sewer Pipe. Typical reams between manholes of up to 100m have been completed. Restrain™ Pipe lengths may vary however 6m lengths are most common.

Step 1

Before you arrive on site determine the dimensions of the installation pits then order Restrain™ Sewer Pipe to suit installation pit dimensions. This may result in the selection of 6m pipe-lengths for a normal pipe-string or shorter lengths for a cartridge style deep pit ream..

Step 2

Once on site excavate entry pit, exit pit and a small pit at each house lateral connection. Ensure the entry and exit pit depths are 1-2 pipe diameters below the invert of the old host pipe.

Step 3

Introduce drill rods from a traditional HDD rig into the existing host pipe.



Step 4

Attach reaming head and Restrain™ starter pipe using a swivel bearing.



Step 5

Follow the installation steps within section 8.0 of this manual.

Step 6

Proceed with the back reaming process pulling the new pipe into position.



Step 7

Connect existing house laterals using a 3 way, plain ended wye junction connecting into the main in place with traditional PVC slip couplers, bends and ceramic to PVC adaptors if required.



8.3 Installation Guidelines – Pipe Bursting, Static & Hydraulic



Figure 8.8 Typical Static Hydraulic Pipe Bursting installation DN225 x 3m Restrain™ Sewer Pipe.

Typical Pipe Burst Heads & Mandrills



Figure 8.9 Typical "steel wheel" or "blade" type bursting heads.

Restrain™ has been installed in many locations throughout New Zealand using Static/Hydraulic Bursting methods, typical burst lengths of 50 - 100m are common. Restrain™ Pipe lengths may vary depending upon installation pit or manhole/chamber dimensions. One of the deepest installations was completed in Auckland city during 2011 where 750mm lengths of DN300 Restrain™ Sewer Pipe was installed within existing 1050mm diameter concrete manhole structures at depths of up to 8m.

The largest PB-HY upsize completed in a single pass using Restrain™ Sewer Pipe was completed with a TT (Tracto - Technik) 800g hydraulic PB rig, where existing DN150 steel reinforced concrete sewer pipe was upsized three sizes, pulling in DN300 Restrain™ Sewer Pipe behind the bursting head.

Bursting mandrill types will vary depending upon the host pipe type that you intend to replace. When replacing traditional materials such as Concrete, Clay and AC a bursting head as illustrated in Figure 8.11 is normally used. For Cast Iron and Polyethylene host pipe replacements a blade mandrill (Figure 8.9) is installed ahead of the bursting head. Steel pipe replacement requires extreme hydraulic forces with specialist roller or wheeled mandrills, leading the bursting head.

Step 1

Before you arrive on site determine the dimensions of installation pit then order Restrain™ Sewer Pipe to suit. This may result in the selection of pipe lengths measuring between 1 & 6m pipes for normal pipe-string or cartridge style pit to pit installations.

Step 2

Ensure tools and equipment are available, tools and equipment are detailed in Section 7.



Figure 8.10 Typical External "Cone Style" Bursting Head. Upsize of existing 100mm CI pipe with new PVC pipe.



Figure 8.11 Typical External Bursting Head. DN300 Restrain™ Sewer Pipe.

Step 3

Once on site excavate installation pits and or lateral connections. Ensure the installation and receiving pit depths are 1-2 pipe diameters below the existing host pipe invert.



Figure 8.12 Installation Pit.



Figure 8.13 Receiving Pit.

Step 4

Select a mandrill or expander to suit the existing host pipe material. Allow for over expansion for a successful pull in. Over expansion will vary depending upon on factors including soil type, pipe diameter, pipeline length and tidal activity.

Do not exceed the maximum allowable axial load detailed in Table 5.

Step 5

Attach your Restrain™ socket starter pipe (refer Section 7.3) to the pull head.

Step 6

In high water table applications a wind up test plug can be installed inside the socket end of your Restrain™ lead pipe. This will prevent ground water invading your new pipe (refer also page 6, Section 8).

Step 7

Begin pull back. Follow the installation steps in Section 8.0.

Step 8

Sewer laterals can be replaced using Restrain™ Sewer Pipe. 1, 2 or 3m pipes are often used for the pull back. The Hammer Head PB-30 Static PB unit is ideal for installing Restrain™ Sewer lateral pipe.

Step 9

Once your new Restrain™ Sewer & lateral pipes are in place, connect sewer laterals using a 3 way, plain ended wye junction. or a Restrain™ Quick Fit Saddle, as illustrated in Figure 13.5. Traditional PVC fittings are used to make the final connections.



Figure 8.16 Restrain™ Sewer, Lateral Pipe & Quick Fit Saddle installed.



Figure 8.14 Installation Pit.



Figure 8.15 Receiving Pit with Hammer Head PB 30 Static pipe bursting unit.

8.4 Installation Guidelines – Pilot Tube Micro Tunnelling & Horizontal Auger Boring



Figure 8.17 Typical Micro Tunnelling installation.



Figure 8.18 PTMT, DN225 x 2m Restrain™ Sewer Pipe, with auger section inserted.

Pilot Tube Micro Tunnelling (PTMT) is a method of installing new pipes below ground, at depth, working with limited space, accurately installing a pipe behind a remotely controlled, steerable, guided auger boring machine. PTMT employs augers to transport the spoil out of the bore hole and a guidance system.

Horizontal Auger Boring (HAB) when compared to PTMT, employs less complicated & less expensive equipment. HAB is widely used to install pipes and casings. Restrain™ Sewer Pipe has been installed using both techniques, the installation method is similar for PTMT and HAB.

Step 1

Before you arrive on site determine what length of Restrain™ Sewer Pipe you will require. Pipe lengths are usually consistent with the length of the PTMT or HAB, auger casings. Some contractors have their pipe manufactured the same length as their augers or in multiples of 2, then order Restrain™ Sewer Pipe.

Step 2

Ensure tools and equipment are available, tools and equipment are detailed in Sections 7.1 through to 7.6.

Step 3

Attach your Restrain™ socket starter pipe (Section 7.4) to the lead auger. Insert augers inside the pipe sections (refer Figure 8.18).

Step 4

Begin pilot tube installation and MT the bore hole. Add your next auger then follow the jointing procedure in Section 8.0, pushing Restrain™ Sewer Pipe into place.

Warning: The amount of over cut required to carry out the MT process depends upon factors including the type of soil, lubrication, pipe size and line length, and is normally at least 20mm larger than the maximum pipe socket OD, or may be 30 to 50mm larger in rock or swelling clay.

Do not exceed the maximum allowable axial load detailed in Table 5.



Figure 8.19 PTMT using DN225 x 2m Restrain™ Sewer Pipe. Installed at 0.04% grade.

8.5 Installation Guidelines – Slip Lining



Figure 8.20 Typical Slip Lining installation using DN150 x 6m Restrain™ Sewer Pipe.

Slip Lining (SL) is a method of installing a new pipe by inserting (or slipping) Restrain™ Sewer Pipe inside a deteriorated host pipe. SL can be used to rehabilitate gravity sewer and stormwater pipelines however the decrease in the existing pipe's cross sectional area needs to be evaluated. Restrain™ provides a larger cross sectional area when compared with other thermoplastic pipe systems.

Step 1

Check alignment, establish if the grade of the host pipe provides suitable fall for your new Restrain™ Sewer Pipe.

Step 2

Gain approval from the asset owner to ensure they are satisfied with the existing pipe-grade.

Step 3

Before you arrive on site determine what length of Restrain™ Sewer Pipes are fit for use at the site. In most cases the contractor orders the longest pipe available, 6m lengths are common when installing via SL methods. Once pipe lengths are determined order Restrain™ Sewer Pipe.

Step 4

Clean and prepare the host pipe for insertion.

Step 5

Ensure tools and equipment are available, tools and equipment are detailed in Section 7.

Step 6

Once on site excavate entry and exit pits ensuring your work platform is free from ground water. Ensure the entry and receiving pits are 1-2 pipe diameters below the existing host pipe invert.

Step 7

A proving plug should be pulled through the existing host pipe to cross check a successful installation.



Figure 8.21 Assembling Restrain™ joint with strap wrench

Step 8

Begin pull back, follow the installation steps within Section 8.0.

Step 9

Push or pull your first Restrain™ pipe into the host pipe.

Step 10

Stabilise your new pipe within the host pipe. For short SL installations, concrete anchor blocks are poured at the entry and receiving pits. For longer SL installations, grouting of the new pipe into the host pipe may be required. (Refer Section 5.)

9.0 Field Testing

General

The Restrain™ Sewer Pipe system may be field tested after installation, in accordance with the relevant parts of these industry Standards:

New Zealand Standard

NZS4404:2010 "Land Development and Subdivision Infrastructure", Appendix C2 "Non-pressure pipelines -field leakage testing", and Clause C2.2 "Hydrostatic Test".

Joint Australian / New Zealand Standards

AS/NZS2566.2 "Design of Buried Flexible Pipelines – Installation", Section 6 "Field testing", and Appendix N "Leakage testing for non-pressure pipelines"

AS/NZS2032 "Installation of PVC Pipe and Fittings", Section 7.3 "Testing of non-pressure pipelines"



Figure 9.0 Field Testing, DN150 Restrain™ Sewer Pipe.

10.0 Frequently Asked Questions

Question 1

Can Restrain™ sewer pipe be used with traditional PVC drain, waste & vent pipe and fittings?

Answer

Yes, Restrain™ sewer pipe is fully compatible with PVC DWV pipe and fittings, manufactured to AS/NZS1260.

Question 2

How do I test Restrain™ sewer pipe on site?

Answer

Restrain™ sewer pipe is tested in the same as traditional PVC pipe. Refer to Section 9.

Question 3

Can I use solvent cement DWV fittings on Restrain™ sewer pipe?

Answer

Yes, Restrain™ sewer pipe has the same outside diameter as traditional PVC DWV pipe, and can be used with PVC DWV fittings designed for solvent cement jointing. Remove the threaded Restrain™ socket or spigot before assembling of the solvent cement joint.

Question 4

What type of lubricant do I use when jointing Restrain™ sewer pipe?

Answer

We recommend CRC808 or Gensil 601 silicone spray lubricant.

Question 5

Why can't I use standard rubber ring pipe lubricant on Restrain™?

Answer

Standard pipe lubricant loses its slippery properties soon after the joint is made. Silicone lubricant remains slippery longer, which may allow you to unscrew the threaded joint should the installation need changes.

Question 6

Why is a different pull head necessary?

Answer

Standard wind-up pull heads designed for PE pipe may not be suitable for Restrain™, as the internal engagement grooves may not "grip" effectively into the dense PVC surface. Cross-bolt style pull heads, for internal or external use, are recommended for Restrain™ pipe, as shown in paragraph 7.3.

11.0 Iplex Pipelines – The Company

Iplex Pipelines is a major Australasian manufacturer and distributor of a wide range of plastics based pipeline systems for the Civil, Mining, Plumbing, Irrigation, Gas, Telecommunications and Electrical Cable conduit markets. One of the Fletcher Building Group of Companies, Iplex Pipelines is well placed for accessing the latest overseas products, technologies, and service initiatives and has become a recognised leader in plastics pipes and associated fittings, together with related water engineering expertise.

Manufacturing and Standards

Iplex Pipelines operates modern manufacturing facilities in New Zealand and every mainland Australian State. All factories operate under stringent requirements of local equivalents to international standard ISO 9001. Where applicable, Iplex products also have StandardsMark third party quality assurance accreditation. Sales and marketing teams are strongly supported by advanced technical, communication and distribution systems to ensure prompt and effective service.

Products and Brands

Iplex products and brand names in New Zealand include APOLLO PVC-O pressure pipes, RHINO PVC-M pressure pipes, NOVAKEY PVC-U pressure pipes and fittings, BLUE BRUTE PVC-U pressure pipes, NOVADRAIN DWV pipes and fittings, POLIPLEX polyethylene pressure pipes, RESTRAIN™ drillable PVC-U gravity sewer pipe, NEXUS subsoil drainage pipe and fittings and FARMTUFF culvert pipe.

Markets and applications for the Iplex product range in New Zealand include water reticulation and transmission mains, sewerage reticulation and carrier mains, stormwater drainage, trenchless pipe systems, chemical and process water circuits, slurry and tailings pipe systems, drain, waste and vent plumbing, domestic hot and cold water plumbing, subsoil drainage systems, turf watering, stock watering, horticultural irrigation systems and broad acre irrigation systems.

You can obtain further product or technical information by contacting Iplex Pipelines directly. Please refer to the back cover of this catalogue for contact details.

NOTES



More products from Iplex Pipelines

NOVADRAIN

DRAIN WASTE & VENT SYSTEMS

SUPERSTORM™ & STORMFIT

PVC STORMWATER DUCT SYSTEM

NEXUS™ HI-WAY

ROAD DRAINAGE SYSTEM

NOVAKEY™ & BLUE BRUTE

uPVC PRESSURE SYSTEMS

WHITE & BLUE RHINO™

HIGH IMPACT mPVC PRESSURE PIPE

BLUELINE

MEDIUM DENSITY POLYETHYLENE PIPE

POLIPLEX

POLYETHYLENE PRESSURE PIPE

ALKATHENE™

LOW DENSITY POLYETHYLENE PIPE

NOVATUBE

HORTICULTURAL LATERAL TUBE

GREENLINE, REDLINE™, RURAL BLACK & BLACKLINE

MEDIUM DENSITY POLYETHYLENE PIPE

PLASSON

METRIC COMPRESSION FITTINGS

NEXUS™FLO, NEXUS™COIL, NOVAFLO™ & NOVACOIL

LAND DRAINAGE SYSTEMS

IPLEX EFFLUENT PIPE

MEDIUM DENSITY POLYETHYLENE PIPE

FARMTUFF™ & NEXUS™ CULVERT

CULVERT PIPE

RAINWATER SYSTEMS

SPOUTING & DOWNPIPE

POLIGAS™

POLYETHYLENE GAS SYSTEMS

Iplex Pipelines (NZ) Ltd retains the intellectual property rights for RESTRAIN™ pipe, New Zealand Patent No. 561752.

Important Disclaimer

The information, opinions, advice and recommendations contained in this publication are put forward with the main object of providing a better understanding of technical matters associated with pipeline design using Iplex Pipelines. Whilst all reasonable care has been made in ensuring that the information contained in this publication is accurate, this publication should not be used as the only source of information by the reader. Reference should also be made to established textbooks and other published material, and readers should not rely on the information contained in this publication without taking appropriate professional advice for their particular circumstances. Pipes and fittings have been shown as typical configurations, however, in some cases product dimensions may vary or be changed without notice. In all instances, the reader should contact Iplex Pipelines for clarification that the specific product is appropriate for their circumstances.

iplex.co.nz

Iplex Pipelines NZ Limited
Call 0800 800 262 or Fax 0800 800 804

Auckland: Private Bag 92 114, 810 Great South Road, Penrose
Palmerston North: Private Bag 11019, 67 Malden Street
Christchurch: PO Box 16225, 22 Braeburn Drive, Sockburn

© 2019 IPLEX PIPELINES (NZ) LIMITED. NEXUS™, IPLEX™, RESTRAIN™, APOLLO™, NOVAFLO™, FARMTUFF™, NOVAKEY™, POLIGAS™, RHINO™, REDLINE™, SUPERSTORM™ are registered trademarks of IPLEX PIPELINES (NZ) LIMITED.